

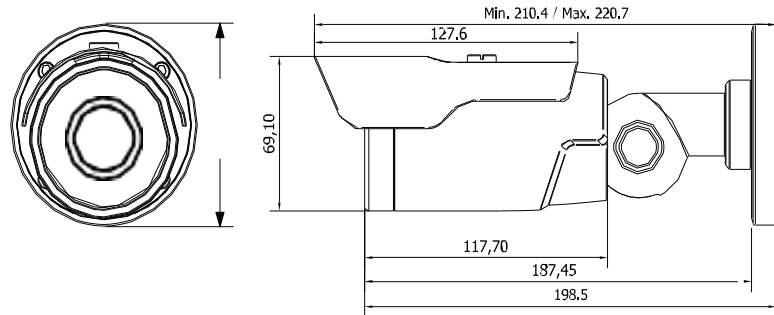
# IPC-MBF

## Features

- 5 Mega pixel 1/2.8" SONY STARVIS CMOS image sensor
- 2.8 mm Fixed Lens
- Long-range, less heat (4 x Hi-power Chip leds)
- Privacy Masking up to 8 areas
- Easy Quick Installation
- Support ONVIF (Profile-S/T/G)
- IP66 Ratings



## Dimension



## Specifications

Image Sensor	Sony STARVIS 5.69Mega Pixels Image Sensor
Size	1/2.8 inch
Scan System	Progressive Scan
Total Pixels	2704(H) x 2104(V), 5.69 Mega Pixels
Effective Pixels	2616(H) x 1964(V), 5.14 Mega pixels
Day & Night	Auto / Day (Color) / Night (BW), ICR Control
Privacy Area	On / Off (8 Programmable Zones)
Motion Detection	432 Zone, Sensitivity 1~5 Step, On / Off
WDR	Real WDR On / Off (Adjust)
DNR	2DNR, 3DNR, On / Off (Adjust)
SLDC	Simple Lens Distortion Correction, On / Off
Defog	Detects Foggy, On / Off (Adjust)
Elec. Shutter	Auto(1/20~1/30000), Suppress Rolling, Manual
Color Adjust	Bright / Contrast / Satuation / Sharp / Hue
White Balance	Auto / User
OSD Display	Text, Date, Time, Event, On / Off
Image Mirror	Normal / Mirror (H) / Flip(V) / Both (HV)
Power Supply	DC12V
Current	Max 350(mA)
Operating Temp	0°C ~ +50°C
Preservation Temp	-10°C ~ +60°C
Humidity	0% ~ 95%
Dimension	210mm (H) x 69mm (Ø)
Weight	600g

## Network

Network	OS	Embedded Linux
	Interface	RJ45 10/100 Base-T PoE
	Protocol	TCP/IP, UDP/IP, RTP, RTSP, RTCP, NTP HTTP, DHCP, FTP, SMTP, DNS, DDNS
	Onvif	Ver 19.12
Video	Compress Format	H.265 / H.264 / MJPEG
	Resolution	2560x1920 / 2560x1440 / 2048x1536 / 1920x1080 / 1280x720 / 640x480 / 640x360 / 320x240
	Max. Frame Rate	30fps @ all resolution
	Video Quality	H.265 : Bitrate Control H.264 : Bitrate Control MJPEG : Quality Level Control
	Streaming	Triple Stream (Stream 1,2,3) RTP / RTSP, Unicast RTP, Multicast RTP
Audio	Compress Format	G.711u-law
	Streaming	Two way

Design and specifications are subject to change without notice.